

## SMD TYPE CERAMIC (SMD 5 x 3.2)



### Application of SMD crystal:

- Blue tooth
- PDA
- Notebook
- Digital camera
- MP3
- Wireless Lan

### {Features}

1.1mm thickness is equal to SMD-type IC  
 Excellent reliability and environment capability  
 High-density mounting-type SMD  
 Excellent vibration resistance & shock resistance



### Electrical Specification:

Model	YJ-5032mm
<b>1.Frequency</b>	
Frequency Range	12.0 ~ 52.000 MHz
Frequency Tolerance at 25°C±2°C	± 10 ~ ± 100 ppm (TYP.)
Frequency Stability Over Operating Temp Range	± 10 ~ ± 100 ppm (TYP.)
<b>2.Environmental Condition</b>	
Operating Temp Range	-10°C~ +60°C, -20°C~ +70°C or customer requirement
Storage Temp Range	-40°C ~ +85°C
Aging Rate	± 1ppm , ± 2ppm , ± 3ppm/year
<b>3.Electrical Specifications</b>	
Test Circuit	S&A 250B
Load Capacitance	6 pF ~ 32 pF, series or special
Drive Level	1uW ~ 100uW or special
Shunt Capacitance	7.0pF max

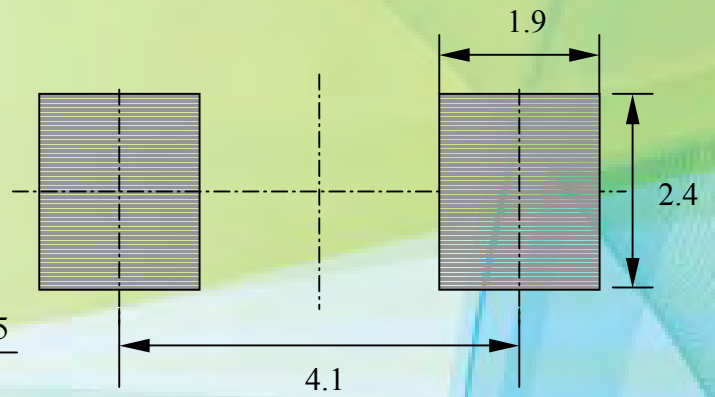
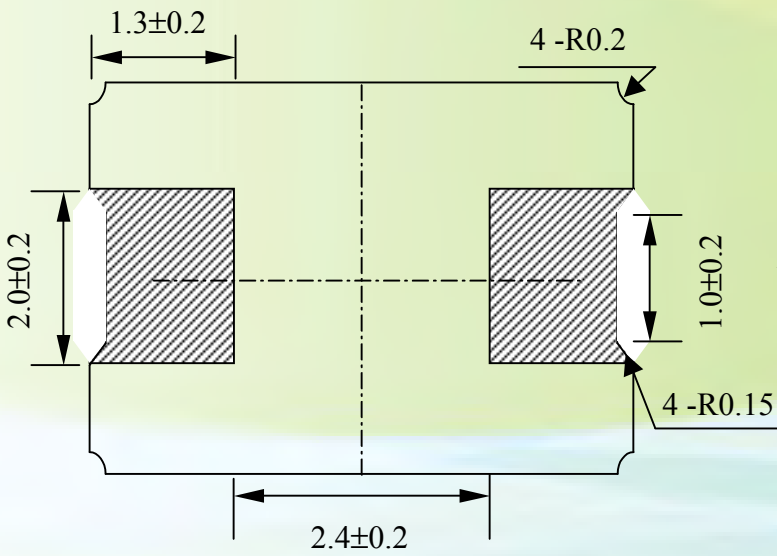
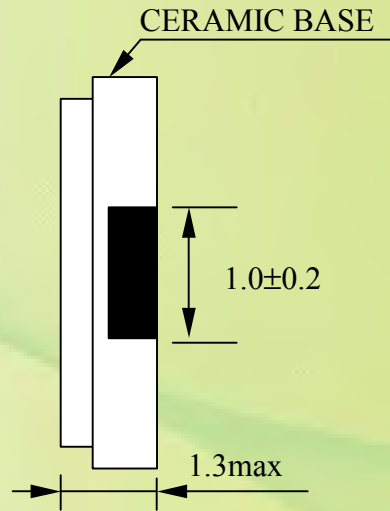
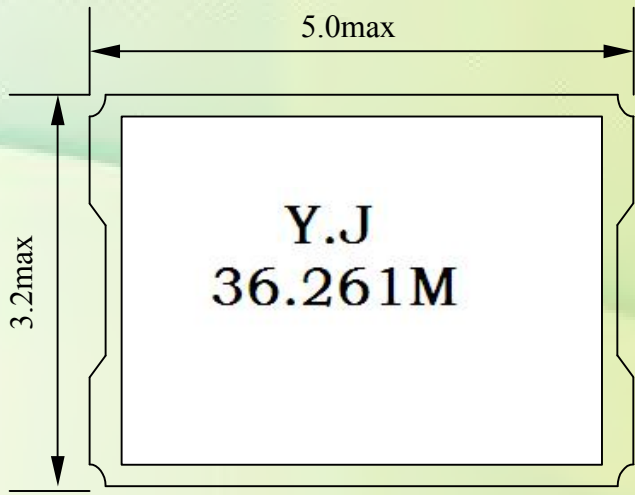
### Equivalent Series Resistance(ESR) VS Frequency:

Frequency (MHz)	Oscillation Mode	YJ-5032
25.1 ~ 52.0	Fundamental	50 Ω

Fundamental

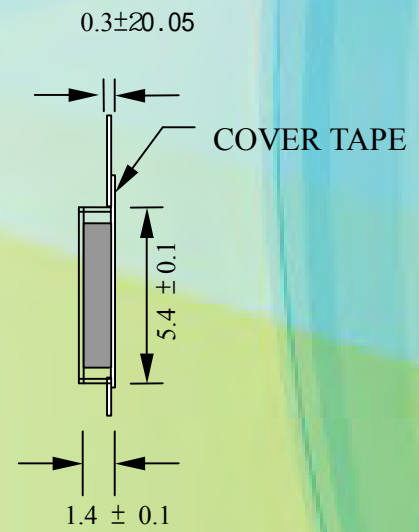
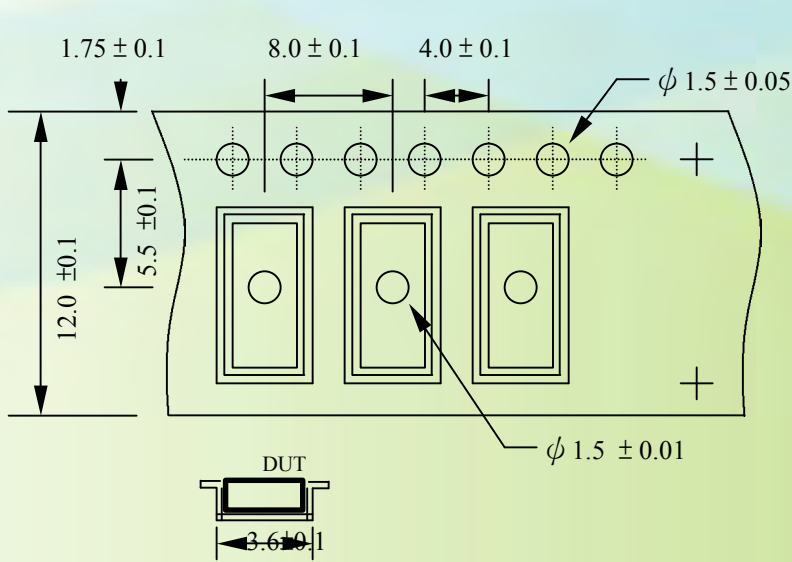
80 Ω

**Dimensions (mm):**

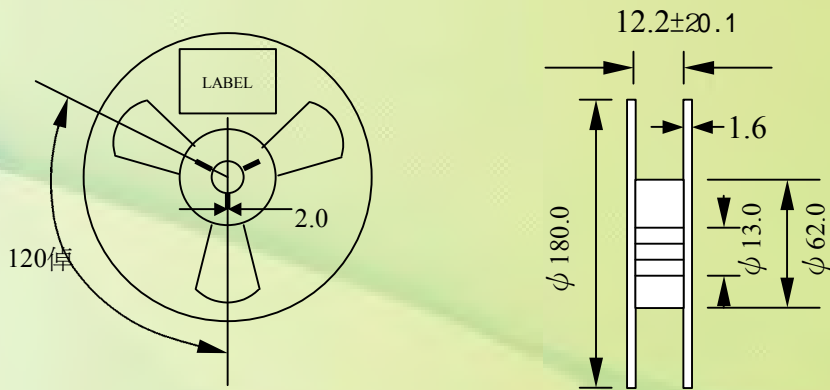


( Recommended Land Pattern )

**Tape specification (mm):**



### Reel packing (mm):



### Reflow Temperature profile:

